



Yuasa Technical Data Sheet

Yuasa TTZ7S - Maintenance Free Battery

Performance

Voltage	12V
Capacity (10-hour)	6Ah
Capacity (20-hour)	6.3Ah
CCA @ -18°C	90A

Dimensions (±2mm)

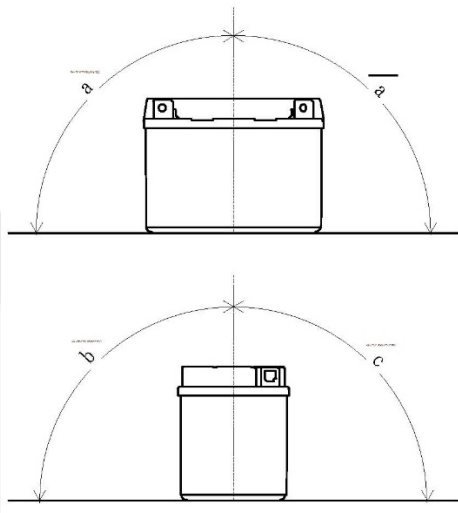
Length	113mm
Width	70mm
Height	105mm

Weights & Measures

Mean Weight with Acid	2.3kg
Acid Volume	0.3l

Mounting Angle

Angle A	30°
Angle B	20°
Angle C	20°



Technology

Technology
Separator

Cast Ca/Ca
AGM

Cell Assembly Layout



Data Sheet generated on 12/12/2016 - E&OE