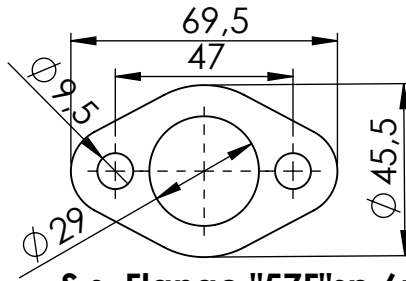
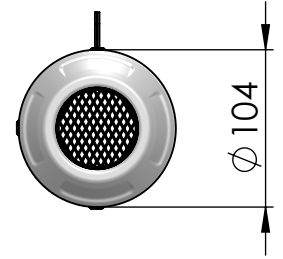


S.s. Bushing
cod.207056



S.s. Flange "57F"sp.6mm
cod.083457014



2x Allen screw M8X60
T.C.E.I.Z.B.
Cod.200949

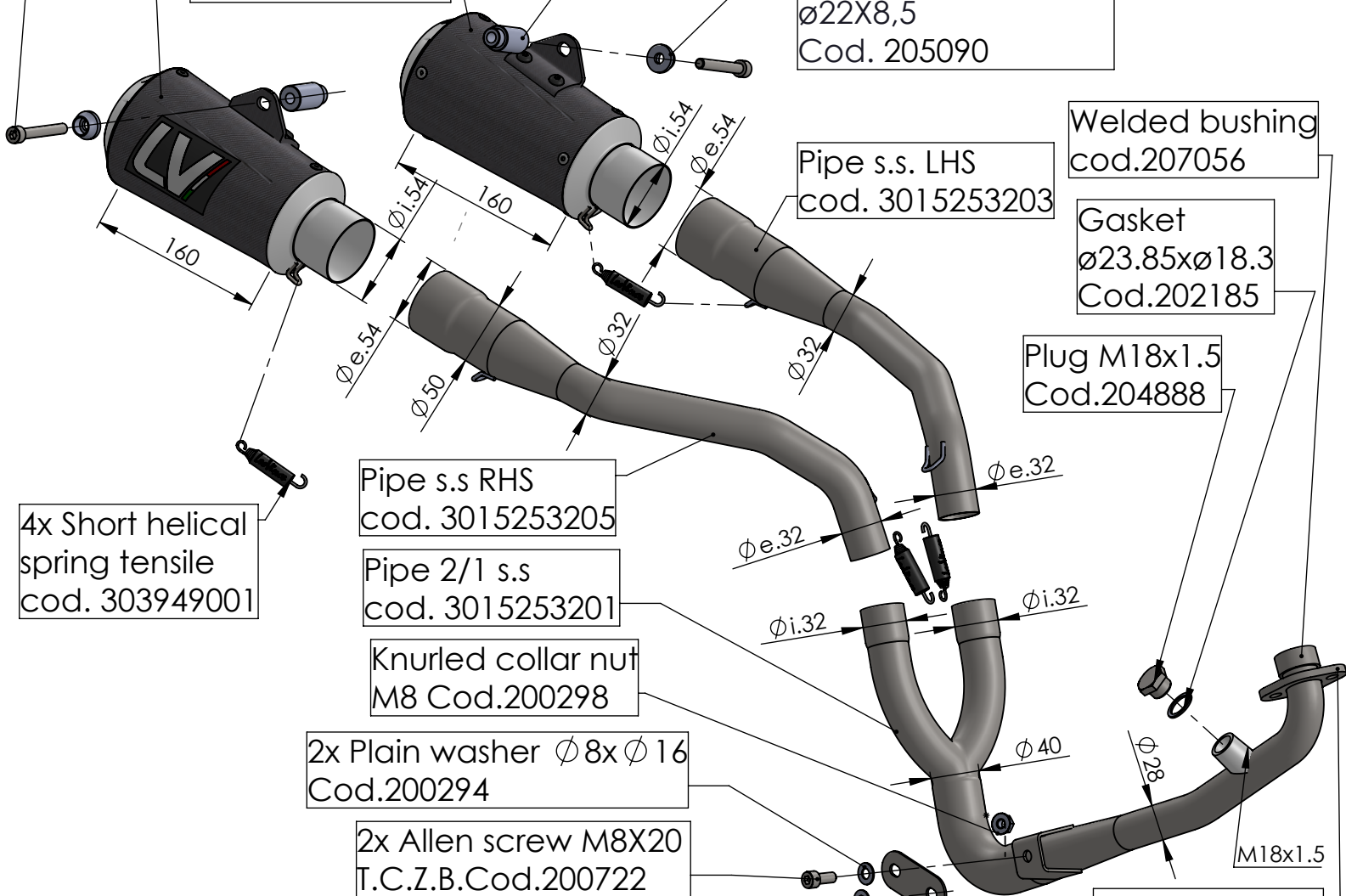
WARNING:
The stock indicators have to be removed
in order to install the exhaust

LV-10 Silencer RHS
carbon fiber
Cod.3015200481U

2x Aluminium spacer
øe.20ø15xø8,5 H40
Cod. 207058

LV-10 Silencer LHS
carbon fiber
Cod.3015200482U

2x Aluminium spacer
ø22X8,5
Cod. 205090



Welded bushing
cod.207056

Pipe s.s. LHS
cod. 3015253203

Gasket
ø23.85xø18.3
Cod.202185

Plug M18x1.5
Cod.204888

4x Short helical
spring tensile
cod. 303949001

Pipe s.s RHS
cod. 3015253205

Pipe 2/1 s.s
cod. 3015253201

Knurled collar nut
M8 Cod.200298

2x Plain washer ø8xø16
Cod.200294

2x Allen screw M8X20
T.C.Z.B.Cod.200722

Flange "57F"
cod.083457014

S.s Bracket
Cod.0815253501

ART. 15253CU

HONDA MSX 125 / GROM

FULL SYSTEM - LV-10 - CARBON