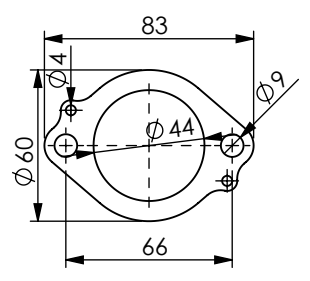
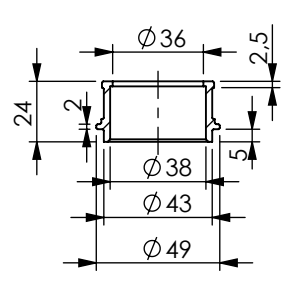


dB-killer n.52B
Cod.308437801R

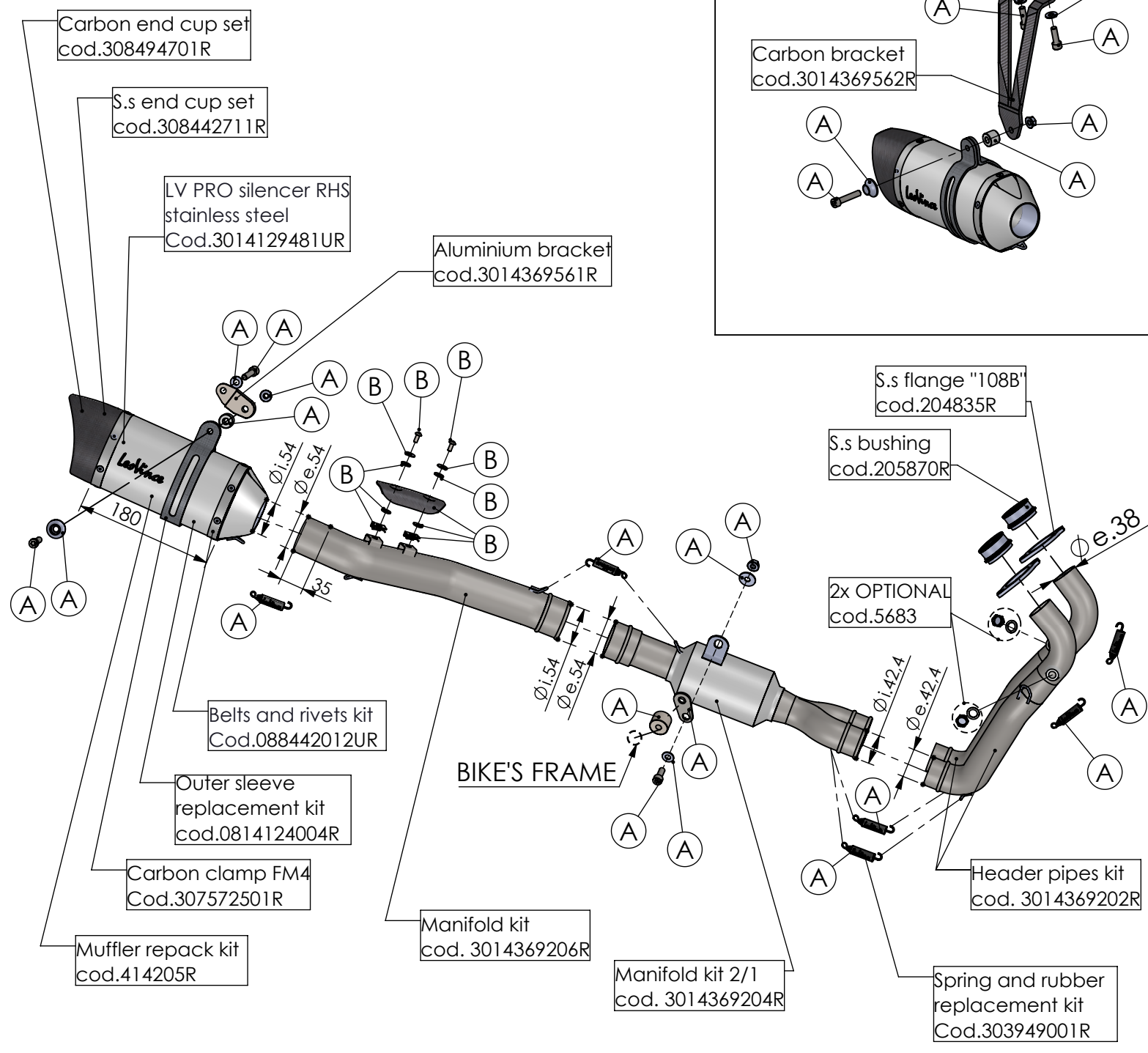
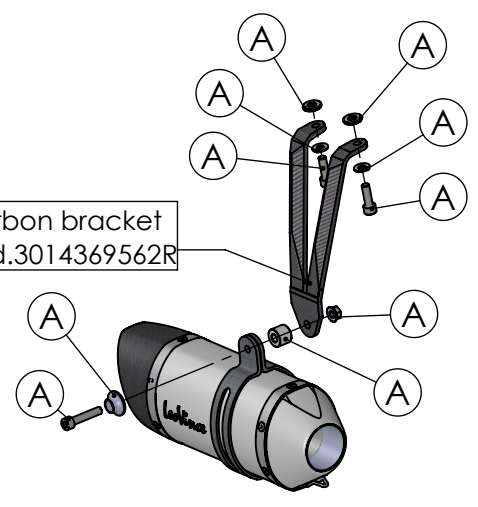


s.s. Flange "108B"
cod.204835R sp.5mm



s.s. bushing
cod.205870R

Alternatively it is possible take off the original passenger's RH footboard and assemble the carbon bracket fitting the fasteners as show below



ART. 14369EU - SPARE PARTS

APRILIA RS 660 - TUONO 660 (also fits 35kW version)

- (A) Fitting kit cod.3014369601R
- (B) Carbon cover kit cod.303896001R