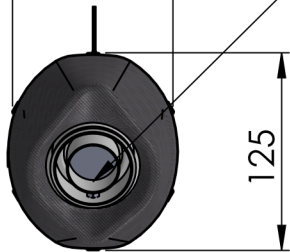


110
 Db-Killer N.65
 Cod.3014324801R



ORIGINAL SPACER

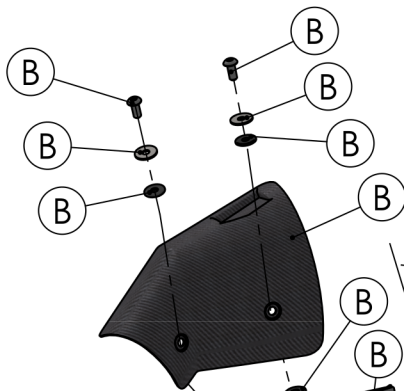
ORIGINAL FRAME

ORIGINAL SPACER

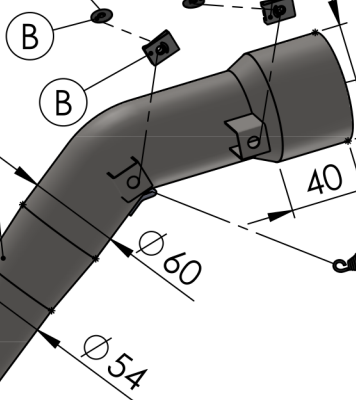
Carbon end cup set
 cod.3014000701R

Muffler repack kit
 cod.414205R

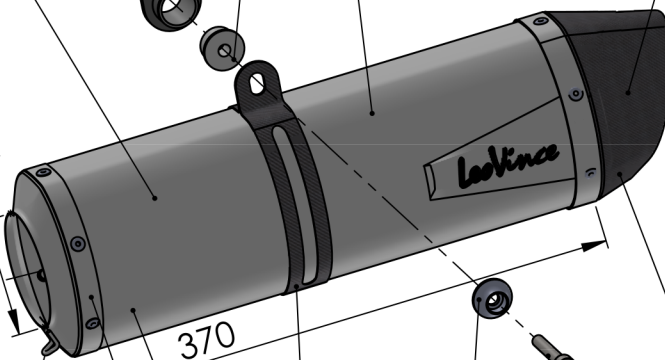
Muffler kit
 Cod.3014348482UR



Manifold kit
 cod. 3014348202R



Spring and rubber
 replacement kit
 Cod.303949001R

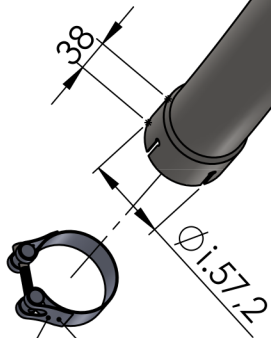


S.s end cup set
 cod.307242711UR

Carbon clamp FB1S
 Cod.306960505R

Outer sleeve
 replacement kit
 cod.088291006R

Belts and rivets kit
 Cod.0814324003UR



Manifold clamp $\phi 60$
 Cod.300060530R

ART. 14348EU SPARE PARTS

MOTO GUZZI V85 TT (also fits 35kW version)
 (Fits with original panniers and original centre stand)

(A) FITTING KIT cod.3014348601R

(B) CARBON COVER KIT cod.3014348001R