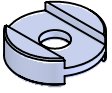


Do not use
Aluminium spacer
Cod. 205866

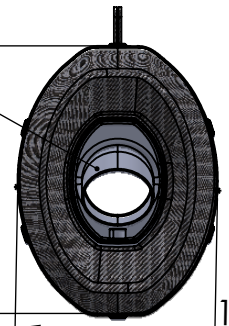


Bracket black S.s
Cod. 3014336501

Db-killer N°52
Cod.308421801

140

105



ORIGINAL FRAME
Please remove two
original rubber silent-block
located inside

Aluminium spacer
Cod. 205771

Carbon clamp FR2
cod.308448501

Knurled collar nut
M6 Cod.200333

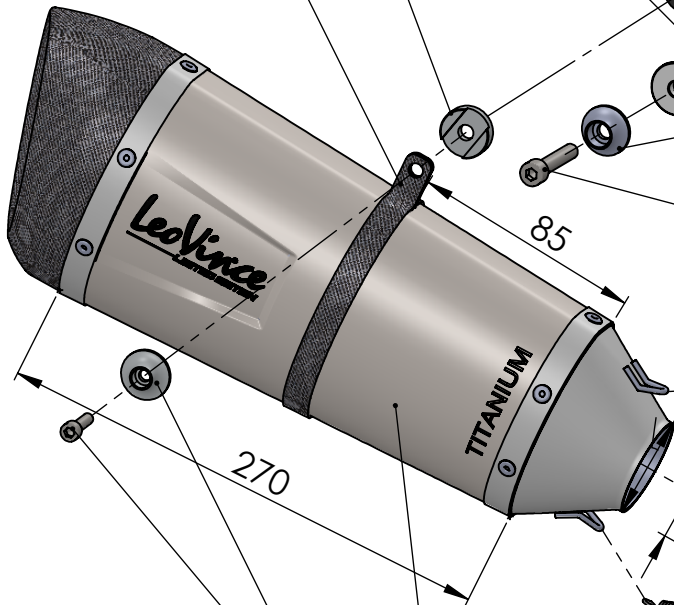
**NB.Brand Leovince
on this side**

Knurled collar nut
M8 Cod.200298

2x Aluminium spacer
 $\phi 29-\phi 23.5 \times \phi 8.5 \times h7$
Cod. 205153

Aluminium spacer
 $\phi 27 \times 8.5$
Cod. 204321

Allen screw M8X45
T.C.E.I.Z.B.
Cod.201450



Pipe N°1310 s.s
cod. 3014336201

2x Short helical
spring tensile
cod. 303949001

Strap in S.s. $\phi 57$
Cod.300057530

**DO NOT
USE ORIGINAL
GRAPHITE
BUSHING**

Allen screw M6X25
T.C.E.I.Z.B.
Cod.200586

Aluminium spacer
 $\phi 27 \times \phi 6.5$
Cod. 205767

FACTORY S Titanium
 $\phi i 54 \times 270$ RHS
Cod.3014337491U

ART. 14337STU

KAWASAKI NINJA 1000 SX / TOURER (fits with original panniers)

SLIP-ON -FACTORY-S - TITANIUM